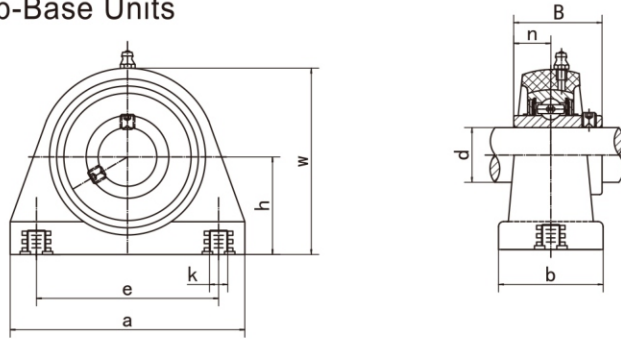


Thermoplastic Housed Tap-Base Units



Unit NO.	Dimensions (mm / in.)									Max.Torque		Bearing No.	Housing No.	Weight (kg)
	d	a	e	b	h	w	k	B	n	Bolt D	Nm			
SS-UCTBPL204	20 3/4	72.8 2-55/64	50.8 2	34.5 1-23/64	33.3 1-5/16	66.0 2-19/32	M8	31.0 1.221	12.7 0.500	M8	18	SS-UC204	TBPL204	0.35
SS-UCTBPL205	25 13/16 ; 7/8 ; 15/16 ; 1	76.2 3	50.8 2	39.5 1-9/16	36.5 1-7/16	73.5 2-57/64	M10	34.1 1.343	14.3 0.563	M10	25	SS-UC205	TBPL205	0.40
SS-UCTBPL206	30 1-1/16 ; 1-1/8 ; 1-3/16 ; 1-1/4	101.0 3-31/32	76.2 3	42.5 1-43/64	42.9 1-11/16	84.0 3-5/16	M10	38.1 1.500	15.9 0.626	M10	30	SS-UC206	TBPL206	0.55
SS-UCTBPL207	35 1-1/4 ; 1-5/16 ; 1-3/8 ; 1-7/16	110.0 4-21/64	82.6 3-1/4	47.5 1-7/8	47.6 1-7/8	95.0 3-47/64	M10	42.9 1.689	17.5 0.689	M10	35	SS-UC207	TBPL207	0.80
SS-UCTBPL208	40 1-1/2 ; 1-9/16	120.0 4-23/32	88.9 3-1/2	48.0 1-57/64	49.2 1-15/16	100.5 3-61/64	M12	49.2 1.937	19.0 0.748	M12	45	SS-UC208	TBPL208	0.95
SS-UCTBPL209	45 1-5/8 ; 1-11/16 ; 1-3/4	124.0 4-7/8	95.3 3-3/4	50.0 1-31/32	54.0 2-1/8	108.5 4-9/32	M12	49.2 1.937	19.0 0.748	M12	50	SS-UC209	TBPL209	1.10
SS-UCTBPL210	50 1-13/16 ; 1-7/8 ; 1-15/16 ; 2	135.0 5-5/16	101.6 4	54.0 2-1/8	57.2 2-1/4	115.0 4-17/32	M16	51.6 2.032	19.0 0.748	M16	55	SS-UC210	TBPL210	1.25
SS-UCTBPL211	55 2 ; 2-1/16 ; 2-1/8 ; 2-3/16	140.0 5-33/64	104.0 4-3/32	66.0 2-19/32	63.5 2-1/2	125.0 4-59/64	M20	55.6 2.189	22.2 0.874	M20	60	SS-UC211	TBPL211	1.43
SS-UCTBPL212	60 2-1/4 ; 2-5/16 ; 2-3/8 ; 2-7/16	150.0 5-29/32	114.0 4-31/64	68.0 2-43/64	69.9 2-3/4	138.0 5-7/16	M20	65.1 2.563	25.4 1.000	M20	65	SS-UC212	TBPL212	1.58