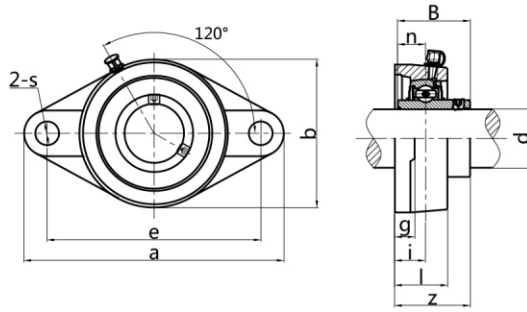
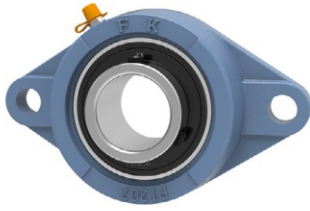


# FJ-UCFT2



Unit NO.	Dimensions (mm / in.)											Bolt Size mm/in.	Bearing No.	Housing No.	Weight (kg)
	d	a	e	i	g	l	s	b	z	B	n				
FJ-UCFT204	20	112	89.5	19	11	29	10.5	60	37.3	31.0	12.7	M8	FJ-UC204	FJ-FT204	0.45
204-12	3/4	4-13/32	3-33/64	3/4	7/16	1-9/64	27/64	2-3/8	1-15/32	1.2205	0.500	5/16	FJ-UC204-12		0.45
FJ-UCFT205	25	124	99	20	13	31	13	70	39.8	34.1	14.3	M10	FJ-UC205	FJ-FT205	0.63
205-13	13/16	4-7/8	3-57/64	25/32	1/2	1-7/32	33/64	2-3/4	1-37/64	1.3425	0.563	3/8	FJ-UC205-13		0.67
205-14	7/8												FJ-UC205-14		0.66
205-15	15/16												FJ-UC205-15		0.64
205-16	1												FJ-UC205-16		0.63
FJ-UCFT206	30												141	116.5	21
206-17	1-1/16	5-35/64	4-37/64	53/64	1/2	1-11/32	33/64	3-15/64	1-45/64	1.5000	0.626	3/8	FJ-UC206-17	0.90	
206-18	1-1/8												FJ-UC206-18	0.91	
206-19	1-3/16												FJ-UC206-19	0.89	
206-20	1-1/4												FJ-UC206-20	0.88	
FJ-UCFT207	35												156	130	21.5
207-20	1-1/4	6-9/64	5-1/8	27/32	35/64	1-7/16	35/64	3-47/64	1-27/32	1.6890	0.689	7/16	FJ-UC207-20	1.32	
207-21	1-5/16												FJ-UC207-21	1.29	
207-22	1-3/8												FJ-UC207-22	1.26	
207-23	1-7/16												FJ-UC207-23	1.23	
FJ-UCFT208	40												171	143.5	24
208-24	1-1/2	6-47/64	5-21/32	61/64	35/64	1-17/32	35/64	4-9/64	2-9/64	1.9370	0.748	7/16	FJ-UC208-24	1.65	
208-25	1-9/16												FJ-UC208-25	1.62	
FJ-UCFT209	45												179	148.5	24
209-26	1-5/8	7-3/64	5-55/64	61/64	35/64	1-37/64	5/8	4-3/8	2-9/64	1.9370	0.748	1/2	FJ-UC209-26	1.91	
209-27	1-11/16												FJ-UC209-27	1.87	
209-28	1-3/4												FJ-UC209-28	1.83	
FJ-UCFT210	50												189	157	28.5
210-29	1-13/16	7-7/16	6-3/16	1-1/8	35/64	1-27/32	5/8	4-9/16	2-13/32	2.0315	0.748	1/2	FJ-UC210-29	2.27	
210-30	1-7/8												FJ-UC210-30	2.22	
210-31	1-15/16												FJ-UC210-31	2.17	
210-32	2												FJ-UC210-32	2.13	
FJ-UCFT211	55												216	184	32
211-32	2	8-1/2	7-1/4	1-17/64	25/32	1-31/32	45/64	5-15/64	2-37/64	2.1890	0.874	5/8	FJ-UC211-32	3.35	
211-33	2-1/16												FJ-UC211-33	3.29	
211-34	2-1/8												FJ-UC211-34	3.25	
211-35	2-3/16												FJ-UC211-35	3.18	
FJ-UCFT212	60												235	202	34
212-36	2-1/4	9-1/4	7-61/64	1-9/64	53/64	2-3/32	45/64	5-7/16	2-29/32	2.5630	1.000	5/8	FJ-UC212-36	4.13	
212-37	2-5/16												FJ-UC212-37	4.05	
212-38	2-3/8												FJ-UC212-38	3.98	
212-39	2-7/16												FJ-UC212-39	3.91	
FJ-UCFT213	65												248	210	38
213-40	2-1/2	9-49/64	8-17/64	1-1/2	55/64	2-13/64	13/16	5-63/64	3-1/16	2.5630	1.000	45/64	FJ-UC213-40	4.81	
213-41	2-9/16												FJ-UC213-41	4.72	
FJ-UCFT214	70												257	216	38
214-42	2-5/8	10-7/16	8-1/2	1-1/2	29/32	2-9/32	29/32	6-3/16	3-1/4	2.9370	1.189	3/4	FJ-UC214-42	5.48	
214-43	2-11/16												FJ-UC214-43	5.38	
214-44	2-3/4												FJ-UC214-44	5.28	